

Ball valve 350

- Female thread 1/4"-1"
- Full flow valve
- Double stem gaskets
- Air vented



Description

Ball valve.

Construction

Ball valve in nickel-plated brass with full flow (bore), gaskets in PTFE and NBR. Connection female thread 1/4" - 1". Air vent hole in lower part of valve body for decompression when valve is closed. T-handle in aluminium.

Marking

DN and PN and company logotype.

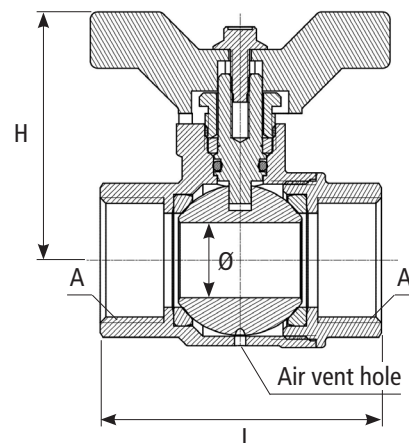
Maintenance

The ball valve must be operated periodically, two to three times a year.

Technical data

Body	Nickel-plated brass CW617N
Ball seal	PTFE
Stem gaskets	PTFE and NBR

Maximum working pressure: 16 bar
 Maximum working temperature: +100°C
 Minimum working temperature: -10°C



Item number	Description	Connection thread A	Length L	Centrum height H	Bore Ø	Weight (kg per piece)
0435008000	Ball valve 350-8, 1/4"F, handle, decompression hole	1/4"F	46	47,5	8	0,19
0435010000	Ball valve 350-10, 3/8"F, handle, decompression hole	3/8"F	46	47,5	8	0,16
0435015000	Ball valve 350-15, 1/2"F, handle, decompression hole	1/2"F	56	50	10	0,22
0435020000	Ball valve 350-20, 3/4"F, handle, decompression hole	3/4"F	66	54	15	0,34
0435025000	Ball valve 350-25, 1"F, handle, decompression hole	1"F	75	63	20	0,49

All dimensions in millimetres

Subject to technical changes and corrections without notice